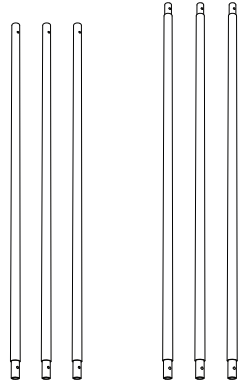
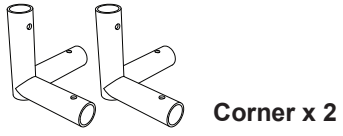
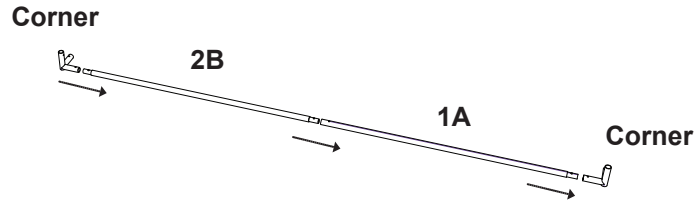


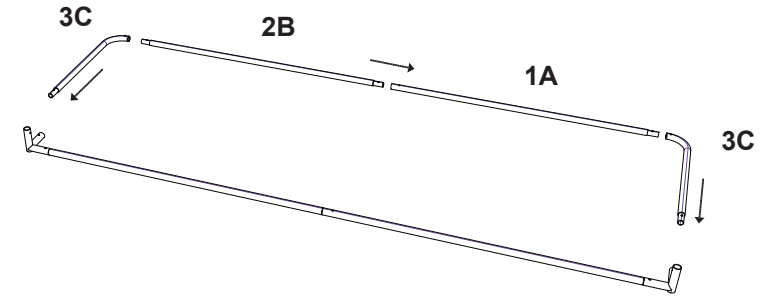
ASSEMBLY INSTRUCTIONS



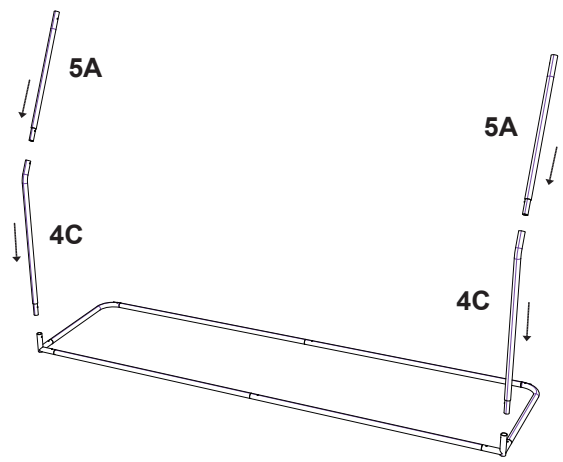
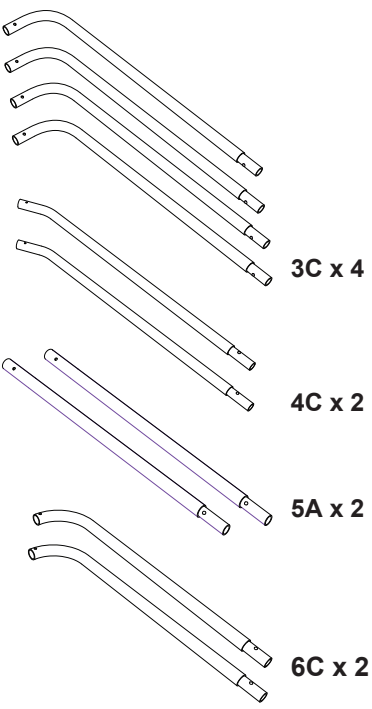
1 Assemble the lower front bar.



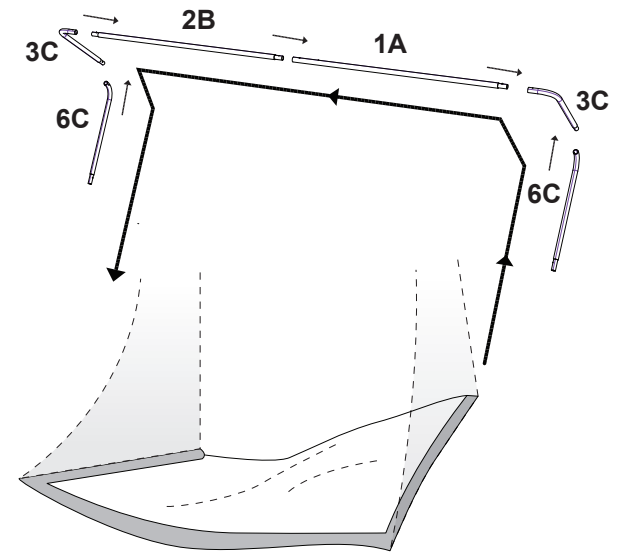
2 Connect the lower frame.



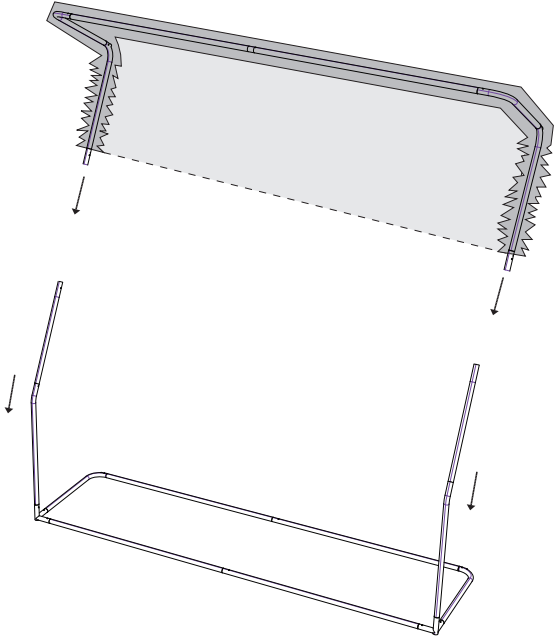
3 Add side posts to the lower bar.



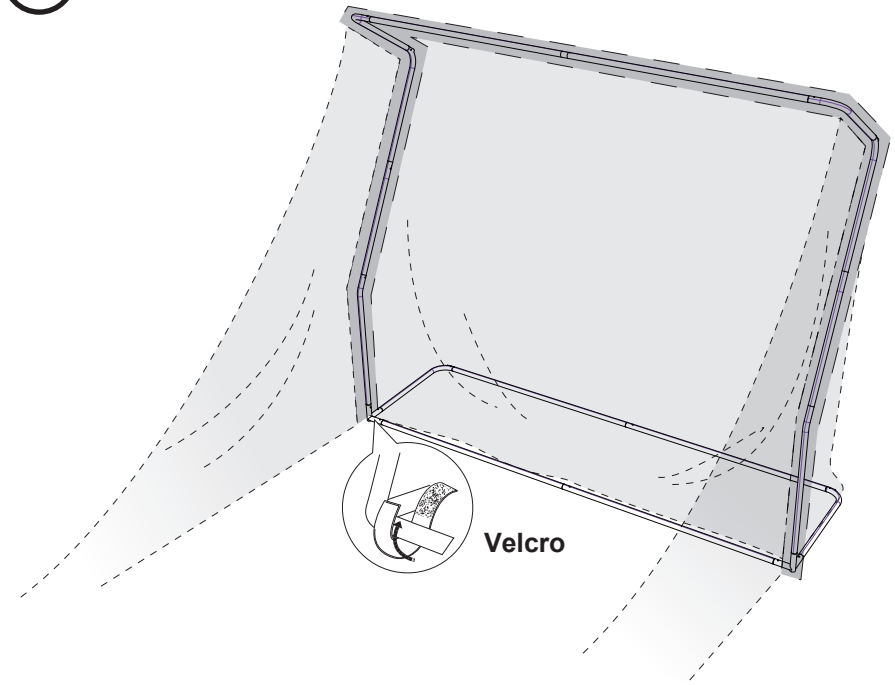
4 Assemble the top frame. With the side netting and velco facing up, feed the netting through the frame.



5 Connect the top frame to the side posts and slide the netting down.



6 Attach the velcro strap to the lower bar to secure the net in place.



7 Fill the side net anchors with sand or something heavy. Your net is now ready to use.

